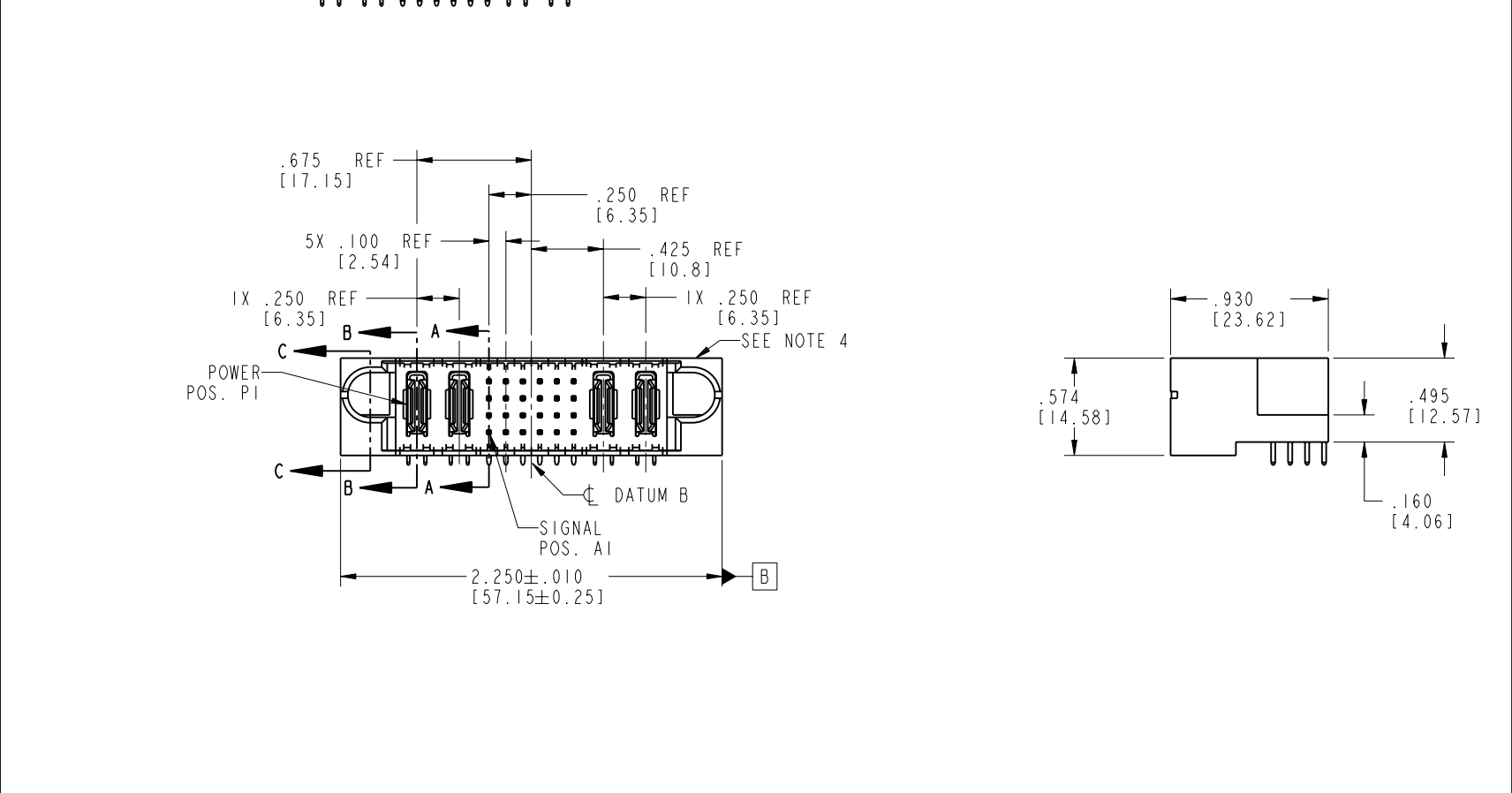
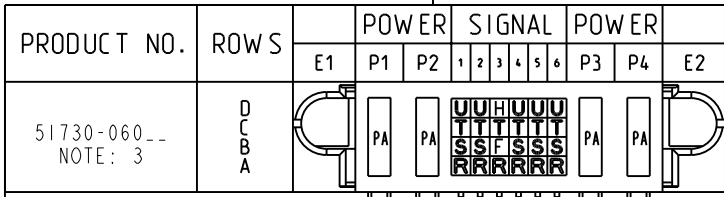


Tous droits strictement réservés. Reproduction ou communication o des liens interdite sous quelque forme que ce soit sans autorisation écrite du propriétaire. Propriété de c FCI. Droits de reproduction FCI.

All rights strictly reserved. Reproduction or issue to third parties in any form whenever is not permitted without written authority from the proprietor. Property of FCI. Copyright FCI.



CODE	DIM "M" MATING LENGTH	CONTACT TYPE
F	.220 [5.59]	SIGNAL
H	.220 [5.59]	SIGNAL
R	.270 [6.86]	SIGNAL
S	.270 [6.86]	SIGNAL
T	.270 [6.86]	SIGNAL
U	.270 [6.86]	SIGNAL
PA	N/A [N/A]	POWER

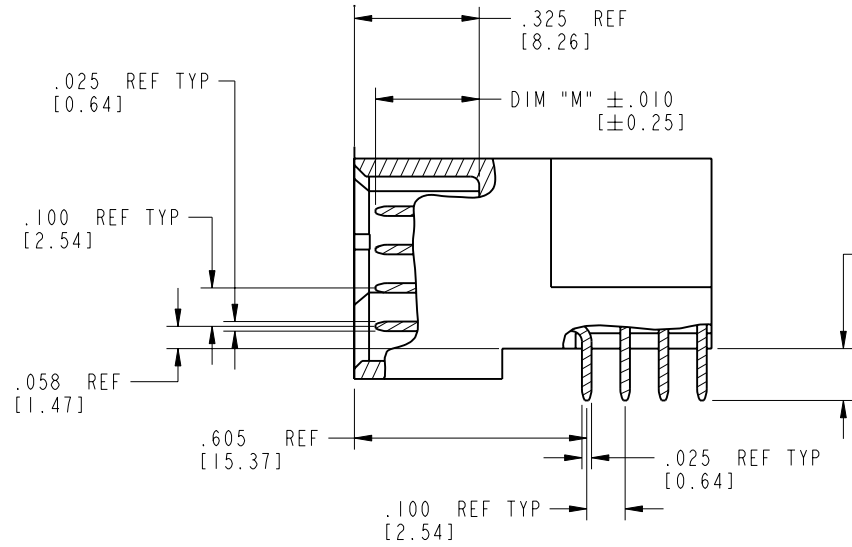
mat'l code				tolerances unless otherwise specified		CUSTOMER	
ltr	ecn no.	dr	date	linear	angles	COPY	
A	V21693	TAB	10/23/02	.XX±.01/0.X±0.3	0°±2°	projection	
B	DG05-0389	GUOJM	10/19/05	.XXX±.005/0.XX±0.13		INCH/MM	
				.XXX±.0020/0.XXX±0.051		scale	
				dr	engr	1:1	
				chr	appd		
sheet index	revision sheet	B	B	B	B		
		1	2	3	4		

product family		code	
PwrBlade		213	
size	dwg no	sheet	of 4
A	51730-060	1	4

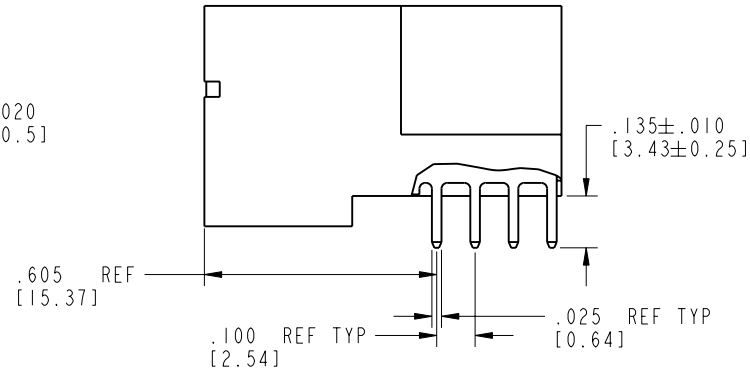
Tous droits strictement réservés. Reproduction ou communication o des liens interdite sous quelque forme que ce soit sans autorisation écrite du propriétaire. Propriété de c FCI. Droits de reproduction FCI.

All rights strictly reserved. Reproduction or issue to third parties in any form, whatever is not permitted without written authority from the proprietor. Property of FCI. Copyright FCI.

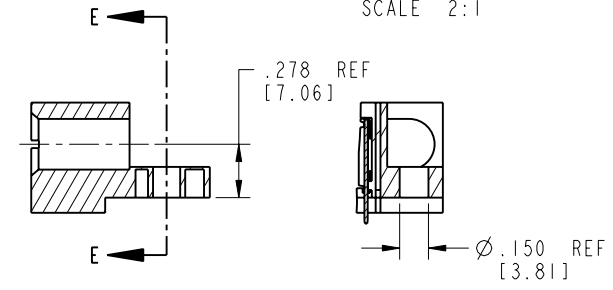
PRODUCT NUMBER
51730-060--
NOTE: 3



BROKEN-OUT SECTION A-A
SCALE 2:1



BROKEN-OUT SECTION B-B
SCALE 2:1



SECTION C-C

mat'l code				SEE NOTE 2		tolerances unless otherwise specified		CUSTOMER		 www.fciconnect.com	
lfr	ecn no.	dr	date	linear	.XX±.01/0.X±0.3		COPY		 INCH/MM	title	
B					.XXX±.005/0.XX±0.13		projection			2P + 24S + 2P	
				angles	.XXX±.0020/0.XXX±0.051		 scale		R/A SOLDER HEADER		
					0° ± 2°		1:1		product family		
				dr	T. BRUNGARD	10/23/02	 scale		PwrBlade		
				engr	M. MOSTOLLER	10/23/02	 scale		code		
				chr	M. MOSTOLLER	10/23/02	 scale		213		
				appd	M. MOSTOLLER	10/23/02	 scale		sheet		
sheet index		revision sheet						A		51730-060	
								A		2 of 4	

cage code 22526

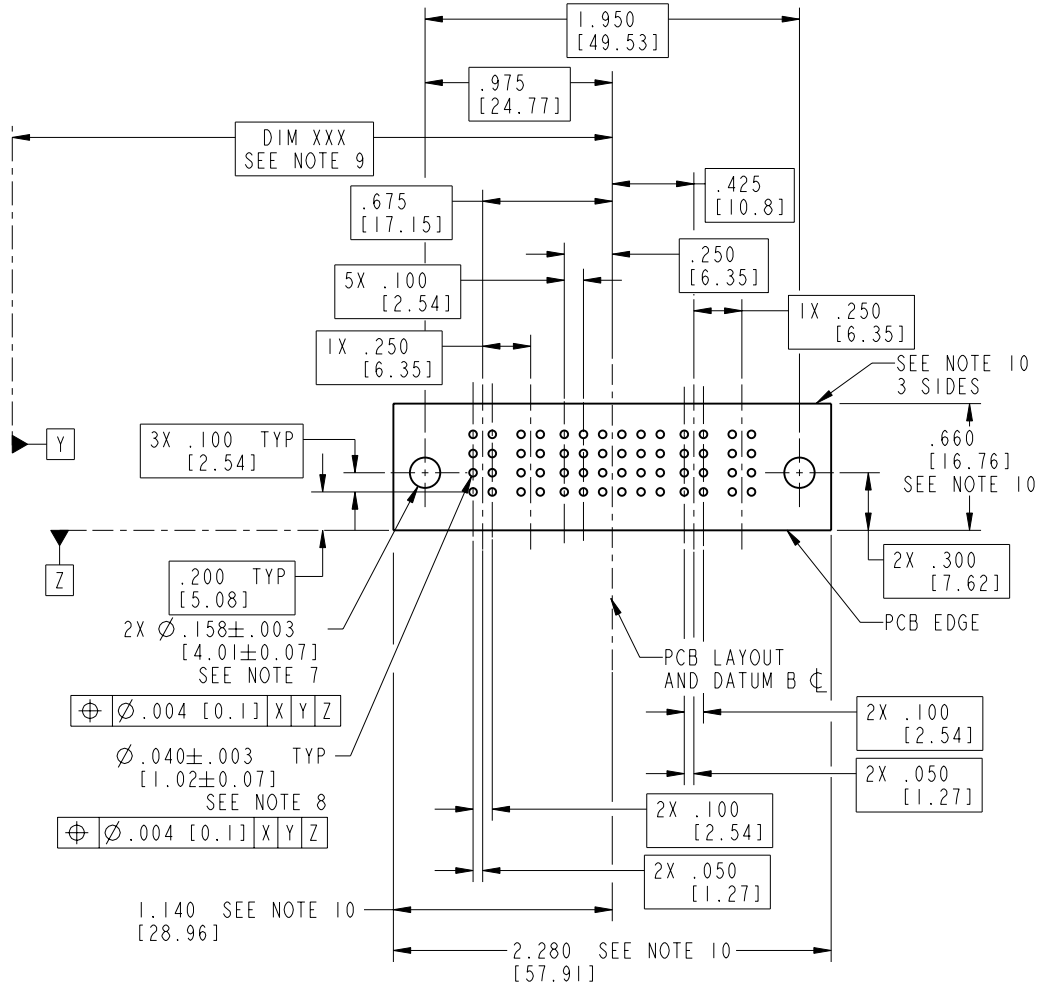
Pro/E

Tous droits strictement réservés. Reproduction ou communication o des liers interdite sous quelque forme que ce soit sans autorisation écrite du propriétaire. Propriété de c FCI. Droits de reproduction FCI.

FCI

All rights strictly reserved. Reproduction or issue to third parties in any form, whenever is not permitted without written authority from the proprietor. Property of FCI. Copyright FCI.

PRODUCT NUMBER
51730-060--
NOTE: 3



RECOMMENDED PCB LAYOUT

mat'l code				SEE NOTE 2		tolerances unless otherwise specified		CUSTOMER		 www.fciconnect.com	
lfr	ecn no.	dr	date	linear	.XX±.01/0.XX±0.3	projection	COPY		title		
B				angles	.XXX±.005/0.XX±0.13		A		2P + 24S + 2P		
				dr	.XXX±.0020/0.XX±0.051	INCH/MM	PwrBlade		R/A SOLDER HEADER		
				engr	T. BRUNGARD 10/23/02	scale	product family		code		
				chr	M. MOSTOLLER 10/23/02	1:1	size		213		
				appd	M. MOSTOLLER 10/23/02		dwg no		sheet		
sheet index	revision sheet						A		3 of 4		
							51730-060				

cage code 22526

Pro/E

PDM: Rev:B

STATUS: Released

Printed: Aug 12, 2007

Tous droits strictement réservés. Reproduction ou communication o des liers interdite sous quelque forme que ce soit sans autorisation écrite du propriétaire. Propriété de c FCI. Droits de reproduction FCI.

A **FCI**

All rights strictly reserved. Reproduction or issue to third parties in any form, whenever is not permitted without written authority from the proprietor. Property of FCI. Copyright FCI.

B

PRODUCT NUMBER
51730-060__
NOTE: 3

NOTES:

1. DIMENSIONS AND TOLERANCES ARE IN ACCORDANCE WITH ASME Y14.5M, 1994 UNLESS OTHERWISE SPECIFIED.

CONNECTOR NOTES:

2. HOUSING MATERIAL: UL 94 V-0 GLASS FILLED

HIGH-TEMP THERMOPLASTIC

POWER CONTACT MATERIAL: COPPER ALLOY

SIGNAL PIN MATERIAL: COPPER ALLOY

3. PLATING:

51730-060 Singal Pin:30u"/0.76um Au OVER 50u"/1.27um Ni ON THE CONTACT AREA,
AND 100u"/2.54um SnPb PLATING OVER 50u"/1.27um Ni ON THE TERMINATION SECTION.
Power Pin:30u"/0.76um Au OVER 50u"/1.27um Ni ON THE CONTACT AREA,
AND 100u"/2.54um SnPb PLATING OVER 50u"/1.27um Ni ON THE TERMINATION SECTION.

51730-060LF Singal Pin:30u"/0.76um Au OVER 50u"/1.27um Ni ON THE CONTACT AREA,
AND 78u"/2.00um Sn PLATING OVER 50u"/1.27um Ni ON THE TERMINATION SECTION.
Power Pin:30u"/0.76um Au OVER 50u"/1.27um Ni ON THE CONTACT AREA,
AND 78u"/2.00um Sn PLATING OVER 50u"/1.27um Ni ON THE TERMINATION SECTION.

PART NUMBER 51730-060LF MEETS EUROPEAN UNION DIRECTIVE AND JOTHER COUNTRY REGULATIONS AS DESCRIBED IN GS-22-008.

THE HOUSING WILL WITHSTAND EXPOSURE TO 260° PEAK TEMPERATURE FOR 10 SECONDS IN A WAVE SOLDER APPLICATION WITH A CIRCUIT BOARD.

4. MANUFACTURER'S NAME, P/N, AND DATE CODE TO APPEAR ON THIS SURFACE.

5. PRODUCT SPECIFICATION GS-12-149.
APPLICATION SPECIFICATION BUS-20-067.

PCB NOTES:

6. ALL HOLE DIAMETERS ARE FINISHED HOLE SIZE.

7. MOUNTING HOLES, WHERE APPLICABLE, ARE UNPLATED.

8. $\varnothing .0453 \pm .0010$ [1.151 \pm 0.025] DRILLED HOLES PLATED WITH
.0003 [0.008] MIN SnPb OVER .001 [0.03]
TO .003 [0.08] Cu PLATING TO ACHIEVE
 $\varnothing .040 \pm .003$ [1.02 \pm .07] HOLE.

9. "DIM XXX" TO BE DETERMINED BY THE CUSTOMER.

10. CONNECTOR KEEP-OUT ZONE.

mat'l code		SEE NOTE 2		tolerances unless otherwise specified		CUSTOMER		A FCI www.fciconnect.com	
lfr	ecr no.	dr	date	linear	.XX±.01/0.X±0.3	COPY		title	
B					.XXX±.005/0.XX±0.13	projection		2P + 24S + 2P	
				angles	.XXX±.0020/0.XXX±0.051			R/A SOLDER HEADER	
				dr	T. BRUNGARD 10/23/02	INCH/MM		product family	
				engr	M. MOSTOLLER 10/23/02			PwrBlade	
				chr	M. MOSTOLLER 10/23/02	scale		code	
				appd	M. MOSTOLLER 10/23/02	1:1		213	
sheet index		revision sheet						sheet	
								4 of 4	

coge code 22526

Pro/E

3

4

PDM: Rev:B

STATUS: **Released**

Printed: Aug 12, 2007